







Container 20' Standard			Millimeter/mm	Foot/ft
	Internal	Length	5895	19' 4 1/8"
		Width	2350	7' 8 1/2"
		Height	2392	7' 10 1/8"
	Door Opening	Width	2340	7' 8 1/8"
		Height	2292	7' 6 1/4"
			Kilogramm/kg	Lbs/Pound
	Weight	Max. Gross	30480	67200
		Tare	2250	4960
		Max. Payload	28230	62240
			Cubic meter m³	Cubic foot cu.ft
Capacity		33,2	1172	

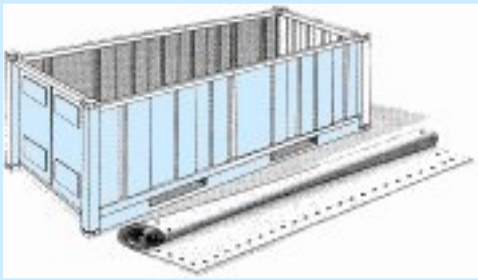
Container 40' Standard			Millimeter/mm	Foot/ft
	Internal	Length	12029	39' 5 1/2"
		Width	2350	7' 8 1/2"
		Height	2392	7' 10 1/8"
	Door Opening	Width	2340	7' 8 1/8"
		Height	2292	7' 6 1/4"
			Kilogramm/kg	Lbs/Pound
	Weight	Max. Gross	30480	67200
		Tare	3780	8330
		Max. Payload	26700	58870
			Cubic meter m³	Cubic foot cu.ft
Capacity		67,7	2390	

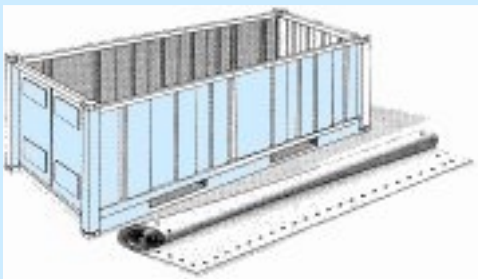
Container 40' Standard High Cube			Millimeter/mm	Foot/ft
	Internal	Length	12024	39' 5 3/8"
		Width	2350	7' 8 1/2"
		Height	2697	8' 10 1/8"
	Door Opening	Width	2338	7' 8"
		Height	2585	8' 5 3/4"
			Kilogramm/kg	Lbs/Pound
	Weight	Max. Gross	30480	67200
		Tare	4020	8860
		Max. Payload	26460	58340
			Cubic meter m³	Cubic foot cu.ft
Capacity		76,3	2694	

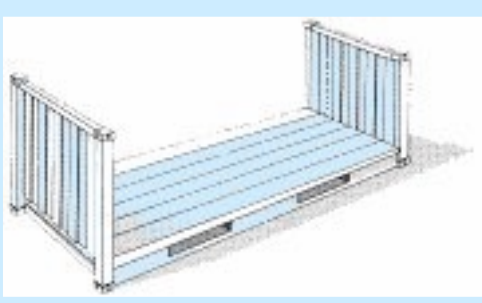
Container 20' Hardtop			Millimeter/mm	Foot/ft
	Internal	Length	5886	19' 3 3/4"
		Width	2342	7' 8 1/8"
		Height	2375	7' 9 1/2"
	Door Opening	Width	2336	7' 8"
		Height	2280	7' 5 3/4"
			Kilogramm/kg	Lbs/Pound
	Weight	Max. Gross	30480	67200
		Tare	2290	5710
		Max. Payload	27890	61490
			Cubic meter m³	Cubic foot cu.ft
Capacity		32,8	1160	

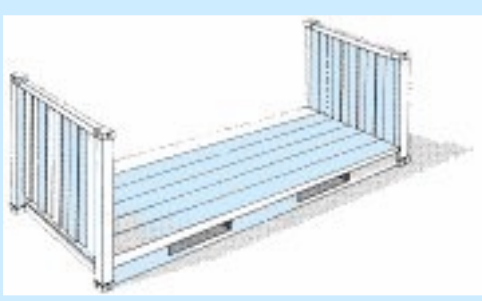
Container 40' Hardtop			Millimeter/mm	Foot/ft
	Internal	Length	12020	39' 5 1/4"
		Width	2342	7' 10"
		Height	2388	7' 10"
	Door Opening	Width	2336	7' 8"
		Height	2292	7' 6 1/4"
			Kilogramm/kg	Lbs/Pound
	Weight	Max. Gross	30480	67200
		Tare	4700	10360
		Max. Payload	25780	56840
			Cubic meter m³	Cubic foot cu.ft
Capacity		67,2	2374	

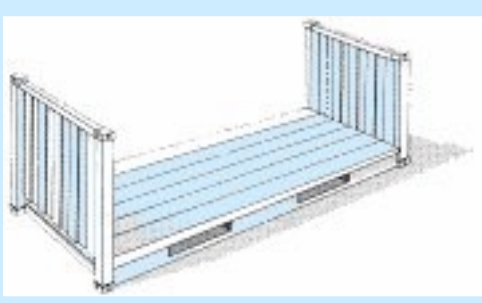
Container 40' Hardtop High Cube			Millimeter/mm	Foot/ft
	Internal	Length	12020	39' 5 1/4"
		Width	2342	7' 8 1/8"
		Height	2693	8' 10"
	Door Opening	Width	2336	7' 8"
		Height	2597	8' 6 1/4"
			Kilogramm/kg	Lbs/Pound
	Weight	Max. Gross	30480	67200
		Tare	4900	10803
		Max. Payload	25580	56394
			Cubic meter m³	Cubic foot cu.ft
Capacity		75,8	2677	

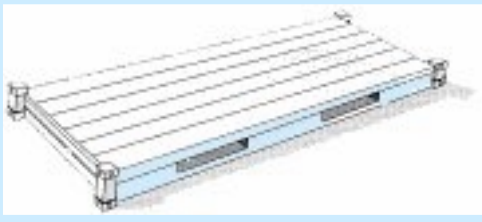
Container 20' Open-Top			Millimeter/mm	Foot/ft
	Internal	Length	5897	19' 4 1/8"
		Width	2350	7' 8 1/2"
		Height	2377	7' 9 1/2"
	Door Opening	Width	2338	7' 8"
		Height	2280	7' 5 3/4"
			Kilogramm/kg	Lbs/Pound
	Weight	Max. Gross	30480	67200
		Tare	2350	5180
		Max. Payload	28130	62020
			Cubic meter m³	Cubic foot cu.ft
Capacity		32,5	1149	

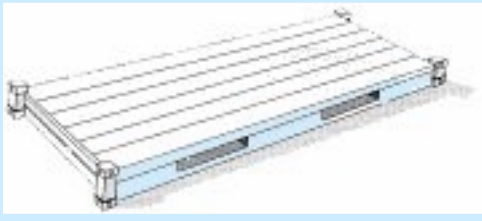
Container 40' Open-Top			Millimeter/mm	Foot/ft
	Internal	Length	12030	39' 5 5/8"
		Width	2350	7' 8 1/2"
		Height	2377	7' 9 1/2"
	Door Opening	Width	2338	7' 8"
		Height	2292	7' 6 1/4"
			Kilogramm/kg	Lbs/Pound
	Weight	Max. Gross	30480	67200
		Tare	3850	8490
		Max. Payload	26630	58708
			Cubic meter m³	Cubic foot cu.ft
Capacity		66,4	2345	

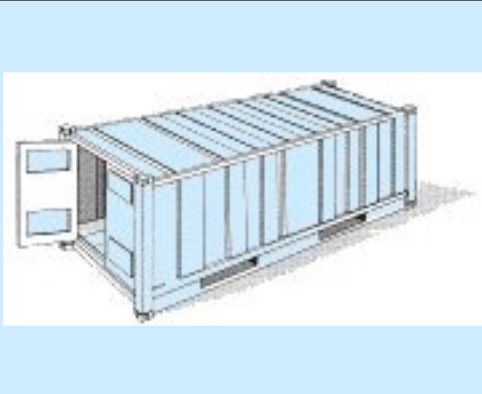
Container 20' Flat Rack			Millimeter/mm	Foot/ft
	Internal	Length floor	6038	19' 9 3/4"
		Length min.	5612	18' 4 7/8"
		Width floor	2438	8' 0"
		Width min.	2210	7' 2 7/8"
		Height	2213	7' 3 1/8"
		Height bottom	370	1' 2 9/16"
			Kilogramm/kg	Lbs/Pound
	Weight	Max. Gross	34000	74956
		Tare	2740	6040
		Max. Payload	31260	68910


Container 40' Flat Rack			Millimeter/mm	Foot/ft
	Internal	Length floor	12086	39' 7 7/8"
		Length min.	11826	38' 9 5/8"
		Width floor	2224	7' 3 1/2"
		Width min.	2224	7' 3 1/2"
		Height	1981	6' 6"
		Height bottom	610	2'
			Kilogramm/kg	Lbs/Pound
	Weight	Max. Gross	30480	67200
		Tare	4200	9265
		Max. Payload	26280	57935


Container 40' Flat Rack High Cube			Millimeter/mm	Foot/ft
	Internal	Length floor	12060	39' 6 3/4"
		Length min.	11660	38' 3 1/8"
		Width floor	2365	7' 9 1/8"
		Width min.	2200	7' 2 5/8"
		Height	2245	7' 4 3/8"
		Height bottom	648	2' 1 1/2"
			Kilogramm/kg	Lbs/Pound
	Weight	Max. Gross	45000	99210
		Tare	5700	12570
		Max. Payload	39300	86640


Container 20' Platform			Millimeter/mm	Foot/ft
	Internal	Length	6058	20'
		Width	2438	8'
		Height bottom	370	1' 2 9/16"
			Kilogramm/kg	Lbs/Pound
	Weight	Max. Gross	30400	74950
		Tare	2740	6040
Max. Payload		31260	68910	


Container 40' Platform			Millimeter/mm	Foot/ft
	Internal	Length	12192	40'
		Width	2438	8'
		Height bottom	648	2' 1 1/2"
			Kilogramm/kg	Lbs/Pound
	Weight	Max. Gross	45500	99210
		Tare	5700	12570
Max. Payload		39300	86640	


Container 20' Ventilated			Millimeter/mm	Foot/ft
	Internal	Length	5895	19' 4 3/32"
		Width	2321	7' 7 3/8"
		Height	2392	7' 10 1/8"
	Door Opening	Width	2340	7' 8 1/8"
		Height	2292	7' 6 1/4"
			Kilogramm/kg	Lbs/Pound
	Weight	Max. Gross	30480	67200
		Tare	2490	5490
		Max. Payload	27990	61710
		Cubic meter m³	Cubic foot cu.ft	
Capacity		33	1167	


Container 20' Refrigerated			Millimeter/mm	Foot/ft
	Internal	Length	5534	18' 1 7/8"
		Width	2316	7' 7 3/10"
		Height	2331	7' 7 3/4"
	Door Opening	Width	2316	7' 7 3/16"
		Height	2290	7' 6 3/16"
			Kilogramm/kg	Lbs/Pound
	Weight	Max. Gross	30480	67200
		Tare	3030	6680
		Max. Payload	27450	60520
			Cubic meter m³	Cubic foot cu.ft
Capacity		29,9	1056	

Container 40' Refrigerated High Cube			Millimeter/mm	Foot/ft
	Internal	Length	11583	38'
		Width	2286	7' 6"
		Height	2532	8' 3 5/8"
	Door Opening	Width	2294	7' 6 1/4"
		Height	2550	8' 4 3/8"
			Kilogramm/kg	Lbs/Pound
	Weight	Max. Gross	34000	74950
		Tare	4120	9080
		Max. Payload	29880	65870
			Cubic meter m³	Cubic foot cu.ft
Capacity		67,0	2366	

Container 40' Refrigerated			Millimeter/mm	Foot/ft
	Internal	Length	11563	37' 11 1/4"
		Width	2294	7' 6 1/4"
		Height	2261	7' 5"
	Door Opening	Width	2288	7' 6"
		Height	2188	7' 2 1/8"
			Kilogramm/kg	Lbs/Pound
	Weight	Max. Gross	30480	74950
		Tare	4600	10140
		Max. Payload	29400	64820
			Cubic meter m³	Cubic foot cu.ft
Capacity		60	2120	

Container 20' Insulated		Millimeter/mm	Foot/ft	
	Internal	Length	5724	18' 9 3/8"
		Width	2286	7' 6"
		Height	2014	6' 7 1/4"
	Door Opening	Width	2286	7' 6"
		Height	2067	6' 9 3/8"
			Kilogramm/kg	Lbs/Pound
	Weight	Max. Gross	24000	52910
		Tare	2550	5620
		Max. Payload	21450	47290
			Cubic meter m³	Cubic foot cu.ft
Capacity		26,4	933	

Container 40' Insulated		Millimeter/mm	Foot/ft	
	Internal	Length	11840	38' 10 1/8"
		Width	2286	7' 6"
		Height	2120	6' 11 1/2"
	Door Opening	Width	2286	7' 6"
		Height	2195	7' 2 3/8"
			Kilogramm/kg	Lbs/Pound
	Weight	Max. Gross	30480	67200
		Tare	3850	8490
		Max. Payload	26630	58710
			Cubic meter m³	Cubic foot cu.ft
Capacity		60,6	2140	

Container 20' Tank		Kilogramm/kg	Lbs/Pound
	Volume	27321	60260
			Liter/Litre Water
	Capacity	24000	